

- **I.D. PRO *Plus***
- **Introduction**
 - **Features and Capabilities**
 - **Printer Comparison**
- **Basic Operations**
 - **Setup**
 - **Keyboard**
 - **Functions**
- **More line**
- **Feed alignment**
- **Serialization**
- **Standard and bold printing**
- **Tutorial**
 - **Battery and ribbon Installation**
 - **Label installation and removal**
 - **Printing labels**
 - **Serialization**
- **Cleaning and Maintenance**
- **Troubleshooting**
 - **Most commonly asked questions**

Features and capabilities

- The I.D. Pro *Plus* is a highly portable self contained printing machine.
- The I.D. Pro *Plus* uses three different material widths and can print on a variety of materials (i.e. paper, polyester, vinyl cloth, self-laminating vinyl, nylon cloth, Tedlar ? , polyimide, and heat shrinkable materials).
- The I.D. Pro *Plus* allows printing up to eight lines of print and 15 characters on each line. It has three format settings and two font sizes.
- It has Bold type print capabilities and is 43% faster than the I.D. Pro.
- It allows for numeric and alphabetic automatic serialization of text and can print multiple labels.
- The ribbon is a removable self re-inking R5000 series ribbon.
- It is battery operated and can be run while the battery is recharging.
- The I.D. Pro *Plus* has FCC class A approval and the battery charger is UL/CUL listed.
- More lines of discrete text: The I.D. PRO Plus wire marker printer speed has been increased to allow for greater printed label throughput.

Printer comparison

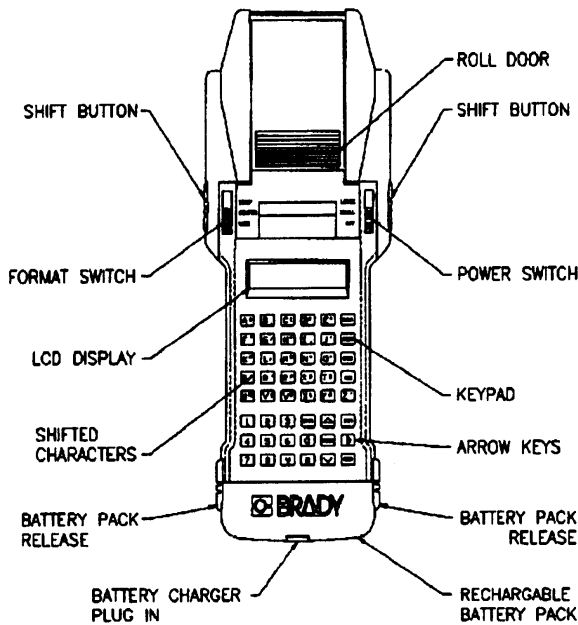


Figure 1

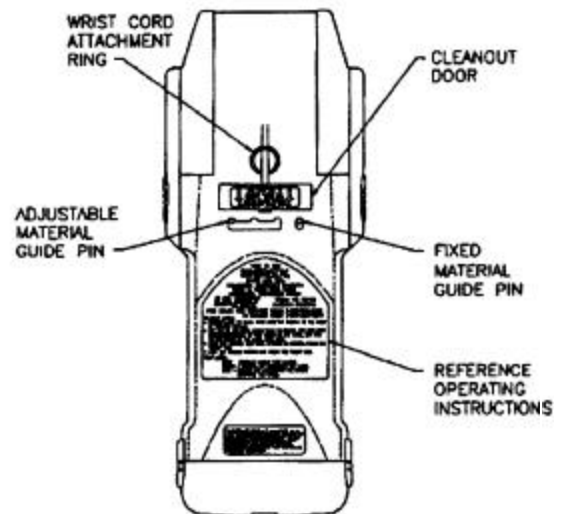


Figure 2

| <i>Features</i> | <i>BMXC</i> | <i>LS2000</i> | <i>ID PRO PLUS</i> |
|--|-------------|---------------|--------------------|
| Alignment, vertical & horizontal alignment of text | No | Yes | Yes (vertical) |
| Backing material out of unit | No | Power reverse | Yes |
| Bar code printing | No | No | No |
| Battery, N-Cad battery pack | Yes | Yes | Yes |
| Battery, plug-in type battery connector | Yes | Yes | Yes |
| Bold print | No | Yes | Yes |
| Built-in carrying handle | No | Yes | No |
| Case, durable injection mold | No | Yes | Yes |
| Case, hard carrying | Included | Optional | Optional |
| Case, soft Carrying | N/A | Optional | N/A |
| Case, upper & lower case letters | Upper | Both | Upper |
| Designed for electrical/electronic needs | Yes | Yes | Yes |
| Download legends into printer from PC | No | Yes | No |
| Keyboard, QWERTY | No | Yes | No |
| Label stock waste | Not much | None | None |
| Labels, uses BMXC-Style labels & sleeves | Yes | Yes | Yes |
| Lines, adjustable space between lines | No | Yes | No |
| Lines, display lines on screen | 2 | 4 | 2 |
| Paper out sensor | Yes | Yes | No |
| Prints labels as small as .125" high | No | Yes | No |
| Print sizes available | 4 | 125 | 2 |
| Prints terminal block ID strips | No | Yes | No |
| Print head, rugged shuttle print head | No | Yes | Yes |
| Power, power loading of material | Yes | Automatic | Yes |
| RAM memory | 8K | 32K | N/A |
| Ribbon, easy load ribbon in cartridge | No | Yes | Yes |
| Registration, optical print registration | Yes | Yes | Yes |
| Registration, precise print registration | No | Yes | Yes |
| Rotate printing for terminal block strips | No | Yes | No |
| Serialization | Yes | Yes | Yes |
| Speed, printing speed | Good | Good | Good |
| Symbols, special | No | Yes | Yes |
| Tear-off bar | No | Yes | No |
| Type, scalable | No | Yes | No |
| Volume: Good for high volume work? | YES | YES | NO |
| Warranty | 1 year | 1 year | 6 months |
| Weight | 5 lbs. | 7 lbs. | 1.6 lbs. |
| Width printable | 1.5 | 2.5 | 1.5 |
| 6 & 9 underlined | No | Yes | No |

Basic operations

Print Sizes



Small = 12 CPI, .09375"H

Large = 8 CPI, .125"H

Formats

Strip - used when printing on Brady Strip series labels such that contain two or more butt cut pieces. Your text will show only once on the screen but will be duplicate the text to the number of strips indicated when printing.

Center - automatically centers the text vertically to the total number of lines entered.

Wire/Repeat - repeats the text entered for the entire length of the label.

Keyboard

Clear - clears all characters from the screen .

Delete - deletes the character at the cursor position

Feed - advances the labels .

Shift - (3 shift keys; 1 is a keyboard key and 2 are in the hand grips

Print - prints the text displayed on the screen.

Enter - activates the size code at boot-up and acts as a return key to go to the next line .

Arrow Keys - move the cursor in the direction indicated on the key.

Serial - highlights the character to be serialized .

Functions

Feed alignment offset for small markers and labels

A new feed alignment (vertical registration) adjustment has been added. To obtain more accurate print registration on 1-line labels and markers, the alignment can be changed plus or minus 3 dot lines:

1. Press Shift-1 key combination while in label text edit mode.
2. Press Up or Down arrow keys to change from -3 dot lines up to +3 dot lines.
3. Press Enter key. The printer will feed the next marker to complete registration.
4. Print label/marker.
5. If alignment is not acceptable, repeat steps 1 to 4.

Bold Print

Bold printing is supported in both large and small font modes. To toggle the bold setting on or off:

1. Press the Shift-O key combination.
2. Press the Up arrow key to toggle bold printing on or off.
3. Press the Enter key to exit.

Batch serialization

To print a batch of serialized labels:

1. Position the cursor over the right-most character of the desired field, i.e. the number 8 in 99998.
2. Press the Shift-Serial key combination.
3. Enter a number from 1 to 99.
4. Press the Print key to start printing or press the Clear key to cancel.

Multiple serialized labels/markers

To print multiple copies of serialized labels or markers:

1. Press the Shift-Serial key combination.
2. Enter a number from 1 to 99.
3. Press the Shift-Print key combination.
4. Enter a number 1 to 99.
5. Press Enter or Print to print or press Clear to cancel.

Strip mode serialization

Batch mode serialization in strip mode differs slightly from that of component and wiremarker mode. Because two strip markers are printed at a time (side by side), the serial number is incremented by one for **each** of the strip markers. This allows the user to alter the way strip markers are serialized. For example:

To print 4 strip labels numbered from 0000 to 0003, you would do the following: Refer to Figure 1A.

1. Enter "0000" in the left hand marker display field.
2. Enter "0001" in the right hand marker display field.
3. Press the Shift-Serial key combination.
4. Enter the number "4".
5. The result will be four labels numbered: 0000, 0001, 0002, 0003.

To print 8 strip markers in **pairs of 2** numbered from 0000 to 0003.

1. Enter "0000" in the left hand marker display field.
2. Enter "0001" in the right hand marker display field.
3. Press the Shift-Serial key combination.
4. Enter the number "2".
5. Press the Shift-Print key combination.
6. Enter the number "2".
7. Press the Enter or Print key to start printing.
8. The result will be **4 pairs** of strip markers numbered 0000 to 0003.

Refer to Figure 1B below. In either case, due to the way the serial strip markers are incremented, you would always enter a number 1-larger in the right side of the strip mode display.

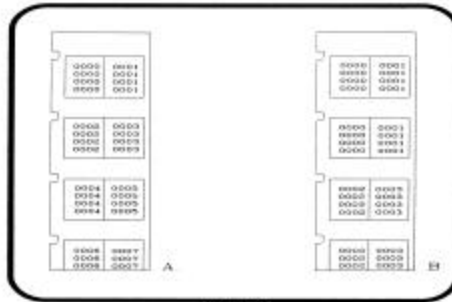


Figure 1

Material Guide Pins -(located on the under-side of the unit)

Use when removing labels or changing the label width.

Print Head Mask

Thin metal shield located between the platen and the print head assembly.

Nip & Drive Rollers

Drive roller - a rubberized roller located directly under the fixed and adjustable material guides.

Nip Rollers - small rollers located in the material guides. They exert pressure drive roller.

Tutorial

- Install the battery and charge it for 4-5 hours. Select the corresponding material guide setting to match the width of the label you are using (i.e. ½", 1", or 1-1/2).
- Insert the labels onto the roll holder and place in the label holding area.
- Turn the unit on and with the arrow keys select the appropriate size code. This information can be obtained from the inside of the label core and on the outside of the box.
- Insert the labels into the material guides and press the feed key.
- Select the size text (small or large) to be printed and the format required.
- Press *Print* for one label or *Shift* and *Print* for multiple labels.

IMPORTANT - When removing the labels from the ID Pro it is imperative that the material guide pins are pushed down while removing the labels

Serialization

Alpha and numeric characters can be serialized on the I.D. PRO *Plus*. Put the cursor under the character to be serialized. Press *Shift & the Serial* key. Enter number of times the data is to increment and press *Print*. When the serialized character reaches 9 or Z the character to it's left is incremented and the original number becomes a 0 or an A. (i.e. 099 becomes 100). Alpha and/or numeric serialization is possible.

Cleaning and maintenance

- Turn the unit off.
- Remove the labels and the bottom door. With a cotton swab and isopropyl alcohol clean the drive roller and the material guide nip roller.
- Drive roller cleaning - Turn the unit on. From the back of the unit run the cotton swab over the drive roller press ant Feed button (this will rotate the roller). Move the material guides to access all of the drive rollers. Continue this until the roller is clean.
- Material guide cleaning - Insert the cotton swab into the material guide by the white nip roller. Press the Feed rollers while cleaning them.

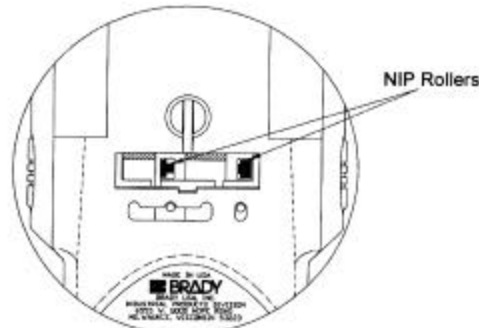


Figure 6

- Printhead mask cleaning - Gently rotate the platen toward the back of the unit. Clean off the outside surface of the printhead mask with isopropyl alcohol and a cotton swab. Make sure that both slots are thoroughly clean and free of dirt. Also, remove any black lint that is around the printer.

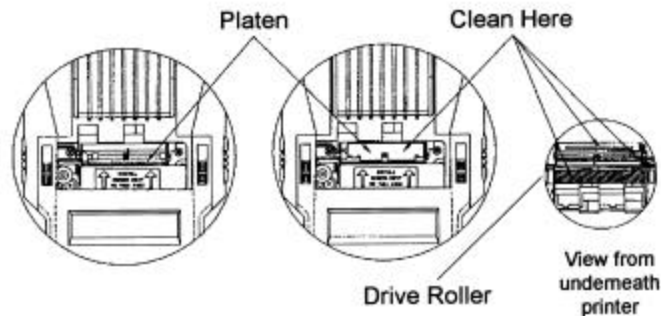


Figure 7

- Ribbon installation - Hold the ribbon cartridge over the ribbon compartment with the exposed ribbon facing toward you. Tilt the left side of the cartridge down and position the ribbon along the left side of the printer. Gently move the ribbon cartridge down and press it into the ribbon compartment until you hear it click into place. Be sure that the ribbon is next to the edge of the printhead as shown on the inside of the roll door. Tighten the ribbon by advancing the turn knob in a clockwise directions.

Troubleshooting & Frequently Asked Questions

Q. How many part numbers can you use with the I.D. PRO *Plus* wire marker printer?

A. Over 166 label/sleeve combinations.

Q. Are we going to make custom labels for the I.D. PRO *Plus* wire marker printer?

A. Yes. Treat like BMXC, check for same size.

Q. How do you do simple serialization?

- A.
1. Press the SHIFT-SERIAL key combination.
 2. Enter a number from 1 to 99.
 3. Press ENTER or PRINT to print or press CLEAR to cancel.

Q. What are the text sizes available on the I.D. PRO *Plus*?

- A. Large text: 8 cpi (0.125 height)
Small text: 12 cpi (0.094 height)

Q. What are the main advantages of the I.D. PRO *Plus* wire marker printer?

- A.
1. 43 percent faster
 2. Availability of **bold** printing
 3. Serialization capability
 4. Up to 8 lines of different text

Q. How do I respond when the customer indicates that the I.D. PRO *Plus* is printing off centered?

A. Find out what material the customer is using and change the size code.

Q. Compare the life span of the ribbon when using bold printing versus normal printing?

A. Approximately 16,000 characters with bold type versus approx. 20,000 characters of normal type.

Q. When purchasing the I.D. PRO *Plus* wire marker printer what can I expect to receive?

A. Printer Batter pack Wrist Code

Ribbon Charger
Pocket guide User manual

Q. What if the customer wants to print more than one of the same legend?

A. Press the SHIFT key and the PRINT key at the same time, enter the number of labels needed, press PRINT.

Q. Are there colored ribbons available for the I.D. PRO Plus?

A. Only black ribbons are available.

Q. What items are excluded from the I.D. PRO Plus?

A. Electronic component labels (ECL); Terminal block markers (e.g. TB03); Rollform cable markers (both WRCM B637 and B330); Brady Tags (i.e. WMT . . .); Permashield markers in Size 514.

Q. What is the life span of a charged battery?

A. Up to 250 labels, depending upon the amount of text.

Q. How long does it take to charge the battery?

A. 4 to 5 hours

Q. Will the I.D. PRO Plus print bar codes?

A. No.

Q. Are we able to upgrade our I.D. PRO to an I.D. PRO Plus?

A. Yes. Obtain an RMA number from Tech Support and return for upgrade.

Q. How do we utilize the bold printing feature of the I.D. PRO Plus?

A. Press the SHIFT key and zero key then the up arrow key to turn bold on. Repeat steps to turn bold off.

Q. What is the battery pack part number for people who want to use the I.D. PRO Plus in Europe?

A. Brady part No. I.D. PRO Plus 33983

Q. What is the warranty for the I.D. PRO Plus?

A. The I.D. PRO Plus wire marker printer comes with a 6-month warranty.

Q. How are warranty repairs handled by Brady?

A. An RMA (return material authorization) is issued through Tech Support. The unit is returned for repair or replacement at Brady's option.

Q. How are non-warranty repairs handled by Brady?

A. Brady will repair the unit and bill a flat rate of \$140.00 (as of 1/1/2001 - subject to change)

Q. Will Brady provide factory loaners while our customer's I.D. PRO Plus is being repaired?

A. No.

Q. How is multiple serialization done?

- A.
1. Press the SHIFT-SERIAL key combination.
 2. Enter a number from 1 to 99.
 3. Press the SHIFT-PRINT key combination.
 4. Enter a number from 1 to 99.
 5. Press ENTER or PRINT to print or press CLEAR to cancel.

More Troubleshooting

Labels are not advancing

- a. Remove any stuck label that may be in the material path and clean the unit.
- b. Labels are not inserted into the material guides correctly.
- c. Drive roller platen, mask, or nip rollers are dirty. Clean.
- d. Remove the ribbon. Locate the two small gears on the left side of the unit. Tilt the unit upright and locate the third gear (the worm gear). Place a small flat head screwdriver up against the worm gear and rotate it toward the keyboard. Turn the unit on and press the feed key. Check to be sure that all of the gears are rotating. Check the drive roller to be sure that it is rotating also. Reinsert the labels and try the process again.

The print is faint

- a. Check ribbon to see if it is worn. Ribbon should last for approximately 20,000 characters.
- b. Ribbon is installed incorrectly. Remove it and reinstall it between the printhead and the mask.
- c. Ribbon may have a dry spot. Remove labels and press to feed key, rotating the ribbon. Let the unit run for 3 to 5 minutes. Be sure the ribbon is rotating. Try to print again.

The print starts in the middle of the label not at the left

- a. Be sure the size code is correct

The printer continues to feed labels

- a. Clean the mask and the optic eye.
- b. Material guides are not fully seated in the correct position.

Printer will not run on batteries

- a. Batteries are not charged. Connect the AC Charger to the printer. Charge the for at least 4 hours before using on battery power alone.
- b. Batteries may be worn out. The battery life is approximately 1-3 years depending on use and care of the battery.

Keypad entries do not show on the screen

- a. A keypad key or the thumb shift button are stuck. Check to be sure that none of the keys are stuck.