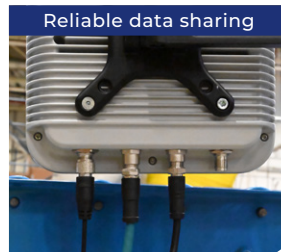




ONE DEVICE. INSTANT PROCESS VISIBILITY.

IRX200 RFID Reader



Real-time visibility. Unique, all-in-one tracking. Industrialised reliability.

Maximise real-time visibility on industrial processes with cutting edge RFID performance.

- ▶ Read 1000 tags per second
- ▶ Integrated UHF RFID antenna
- ▶ Built-in edge computer
- ▶ Profinet & OPC UA connectors
- ▶ IP67 ingress protection
- ▶ EN 60068-2-27 shock resistance
- ▶ EN 60068-2-6 vibration resistance
- ▶ -20°C to 55°C operating temperature

MAXIMISE VISIBILITY



ALL-IN-ONE
RFID READER



NATIVE SUPPORT
FOR IT AND OT
CONNECTIONS



BUILT FOR
INDUSTRIAL
ENVIRONMENTS

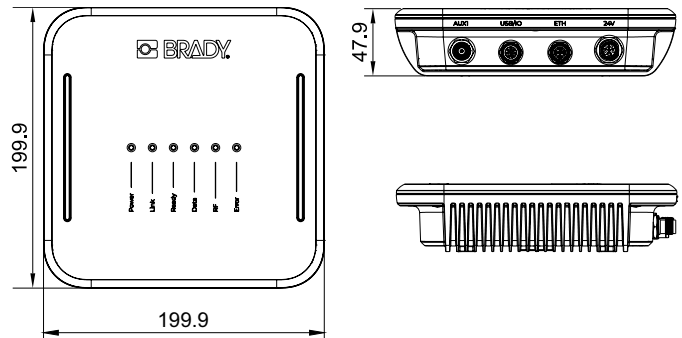
IRX200 RFID READER

INSTANT PROCESS VISIBILITY

- Work-In-Progress tracking
- Tool life cycle tracking
- Real-time inventory
- Equipment status sensing
- Shipment security
- Delivery inspection



UHF RFID IDENTIFICATION	
ISO Compliance Standards	ISO 18000-63 (EPC Class 1Gen2v2)
Frequency	ETSI 865.6-867.6 MHz or FCC/IC 902-928 MHz
RF Radiated Power	Max. ERP 2 W (33dBm) / EIRP 3.3 W (35.2dBm)
Antenna Features	Circularly polarised. Max gain +7.5 dBiC
Maximum Receive Sensitivity	-87dBm
Reading Speed	Up to 1000 tags per second
External Antenna Port	1 RP-TNC female with conducted power of 30 dBm
PLATFORM	
Central Processing Unit (CPU)	Dual-core A53 with quad-core R5F co-CPU's
Operating System	Linux, Brady by Nordic ID IoT platform
Internal Memory Capacity	2 GB RAM, 8 GB Flash
USER INTERFACE	
Device Indicators	RFID read and communication LED
CONNECTIVITY	
Connectivity Options	I/O connection, Ethernet, USB
POWER	
Power Supply	24 VDC, 1.25A M12-L (FE connected)
Power Requirements	Max 12W while transmit. 4W idle
SIZE AND WEIGHT	
Dimensions	200.00 mm (W) x 200.00 mm (H) x 48.00 mm (D)
Weight (kg)	1.1 kg
ENVIRONMENT	
Ingress Protection Rating	IP67
Operating Temperature	-20°C - 55°C
Storage Temperature	-40°C - 85°C
Mounting Type	Vesa 100 wall bracket compatible, 4 Screws (not included)
Approval/Compliance	CE, EN 60068-2-27, EN 60068-2-6
ESD	Air discharge: +/-8kVdc, Contacts: +/-4kVdc
SOFTWARE INTERFACE	
Management Interface	Web Management UI and SSH for developers
Firmware Updates	Via Web management UI and the RESTful service
IP Address Configuration	IPv4 DHCP, Static IP, DCP (PNIO mode)
Security	TLS v1.3
API Support	NUR API for RFID and RESTful service to access reader configuration
Industrial Protocols	Profinet IO device CC-B with 1ms cycle time, OPC UA Auto-ID server
Software Development	Application can be written with modern programming languages. Internal RPC library for C++/Rust/Python/C#



Article No.	Description
321713	Brady IRX200 RFID Fixed Reader EU
321714	Brady IRX200 RFID Fixed Reader US
321715	Brady IRX200 RFID Fixed Reader AU

Accessories

Article No.	Description
321897	Brady XA20 UHF RFID Antenna EU
321898	Brady XA20 UHF RFID Antenna US
321900	IRX200 5m cable M12-X to RJ45
321901	IRX200 10m cable M12-X to RJ45
321902	IRX200 20m cable M12-X to RJ45
321903	RP-TNC Antenna 1m cable
321904	RP-TNC Antenna 3m cable
321905	RP-TNC Antenna 5m cable
321906	RP-TNC Antenna 10m cable
321907	IRX200 Power cord EU
321908	IRX200 Power cord UK
321909	IRX200 Power cord US
321910	IRX200 Power cord AU
321911	IRX200 Power cord CN
321912	IRX200 USB/IO cable 150 cm
321913	IRX200 IO cable 150 cm
321914	IRX200 Power cable 150cm M12-L connector